

SERIE



 **lamber**[®]



045F-dy

Frontal dishwasher

FRONTAL DISHWASHER

SERIE

F

THINKING
THE FUTURE

DESIGNING
THE PRESENT

- Frontal dishwasher 045F-dy Volt 230 50Hz
- Stainless steel construction 18/10 AISI 304
- Double skin
- Wash cycle time: 60"-120"-180"seconds – endless cycle
120"-180"-240" seconds – endless cycle
- Rotating lower and upper wash in stainless steel
- Fixed upper rinse and rotating lower rinse in stainless steel
- Soft touch electronic control panel
- Wash and rinse temperature electronic display
- Drawn tank with slanting bottom
- Integral tank filter
- Automatic tank loading
- Thermocontrol (device which guarantees the selected temperature for every rinsing cycle even in case of non-stop work)
- Door opening safety device
- Rinse aid dispenser
- Extractable control panel
- Certifications: CE



General basket in plastic (Accessories)
COD. CC00004



Basket 14 dishes in white rilsan steel (Accessories)
COD. CC00012



Integral tank filter.

Self-washing slanted tank with rounded edges.

The inside of the washing tank.

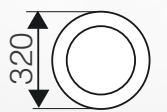


045F-dy

The 320mm for model 045F-dy plates clearance allows to wash any kind of dishes, glasses and pizza dishes.

Accessories 045F-dy

- 1 basket for 14 dishes in plastic
- 1 basket 14 dishes in white rilsan steel
- 1 general basket in plastic
- 1 cutlery containers in plastic



plates clearance



S.S. nozzles for wash and rinse designed to guarantee the best washing efficacy.

 **lamber**[®]

New control panel with interactive graphic display

Complete programming of all the washing parameters.

Graphic display with description of washing steps.

Programming of the timing of rinse-aid pumps.

Cycle counter.

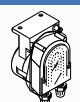

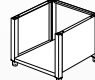

Service maintenance function.

Descaling function (option).

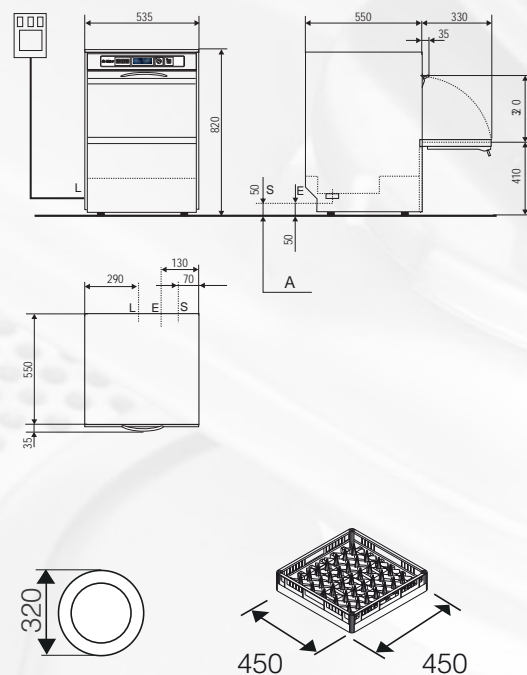


The manufacturer reserves the right to make modifications of materials and models without warning.

Specifications	045F-dy	
DIMENSIONS l x w x h	535x550x820h	mm
WASHING CAPACITY dishes/H	420/280/210 840/420/280	Nr.
WASHING CAPACITY baskets/H	30/20/15 60/30/20	Nr.
WASH CYCLE	2÷3÷4 ∞ 1÷2÷3 ∞	Min.
BASKET SIZE	45 x 45	cm
PLATES PER BASKETS	14	Nr.
WORK HEIGHT	410	mm
CLEARANCE	320	mm
VOLTAGE	230V-50Hz	V
ELECTRIC PUMP	290	W
WASH TANK ELEMENT	1000	W
RINSE TANK ELEMENT	3000	W
TOTAL RATING	3290	W
MAX CURRENT INTENSITY	16	A
TANK CAPACITY	8	Lt
BOILER CAPACITY	4	Lt
RINSE AID DISPENSER	✓	
WATER CONNECTION	45 ÷ 55	°C
CYCLE WATER CONSUMPTION	2.60	l
WATER PRESSURE	2 ÷ 4	Bar
RINSING WATER TEMPERATURE	80 ÷ 90	°C
WATER INLET	3/4"	"G
WATER OUTLET	32 mm ÷ 1"1/4	"G
NET WEIGHT	57	kG
GROSS WEIGHT	64	kG
NOISE	<60	dB(A)

Optional		
COD. AC00221	TIMED DISPENSER FOR LIQUID DETERGENT	
COD. AC00552	TANK DRAIN UNIT WITH FILTER	
COD. AC00042	STAINLESS STEEL BASE WITH LOWER OPEN PLACE H.575MM	
COD. AC00035	BOOSTER PUMP	
COD. AA00505	INCORPORATED WATER SOFTENER WITH AUTOMATIC REGENERATION	045F-dy-add

045F-dy



A	Maximum height for drain to wall	
E	Water inlet	3/4" G
L	Electric input	230 V-50Hz
S	Drain	32 mm - 1"1/4 G

 **lamber**[®]

Via Italia, 6 - 26855 Lodivecchio (LO) Italy
Tel. (0371) 753202 - 754248-9 Fax (0371) 752928
www.lamber.com - e-mail: info@lamber.it

COMPANY WITH QUALITY MANAGEMENT
SYSTEM CERTIFIED BY DNV
= ISO 9001:2015 =

CE

